

DONJOY looking forward to your visit! Your telecommunications!



**东正科技有限公司**  
DONJOY TECHNOLOGY CO.,LTD.

地址: 温州空港新区港富路25号  
总机: 0577-86990888  
传真: 0577-86998000

Add: No.25 Gang fu Road, konggang  
new District, Longwan Wenzhou, China  
Tel: +86-577-86990888  
Fax: +86-577-86998000  
E-mail: donjoy@cndonjoy.com

[www.cndonjoy.com](http://www.cndonjoy.com)

法律声明:  
目录样册版权归东正所有, 如有抄袭, 必将追究其法律责任和经济赔偿。  
东正已获得国家版权局书刊号。东正诸多产品技术, 都具有专利保护, 如有抄袭,  
必将追究法律责任和经济赔偿。

Legal statement:  
Copyright of the catalogue belongs to Donjoy. If there is plagiarism,  
it will be investigated for legal responsibility and economic compensation.  
Donjoy has been granted publications number by China's National Copyright.  
Donjoy products and technology with patent protection,  
If there is plagiarism, it will be investigated for legal responsibility  
and economic compensation.

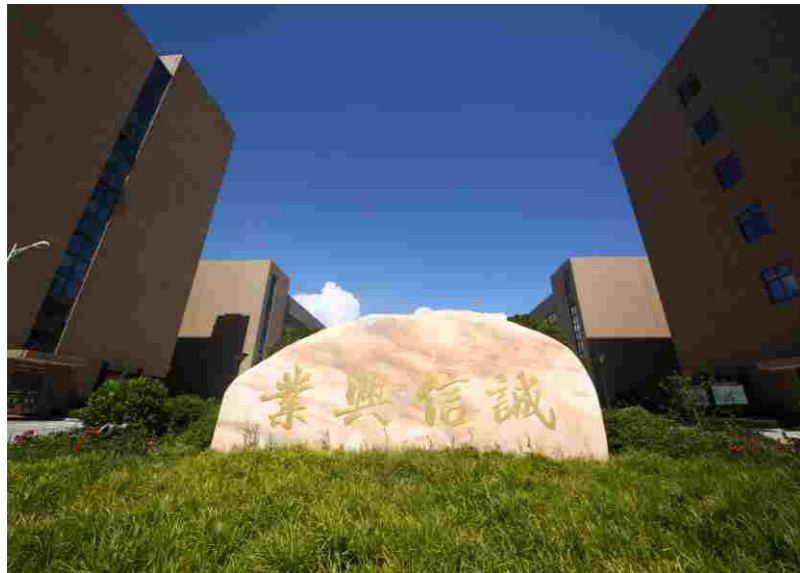
# Sampling valve

12 / 取样阀 智能制造



国家高新技术企业 专精特新企业

# Advantages



30 YEARS

30年的阀门研发与制造  
More than 30 years valve and pump R&d and Manufacturing

23 YEARS

23年的高洁净泵研发与制造  
More than 23 years high purity pump R&d and Manufacturing

18 YEARS

18年的阀门控制器研发与制造  
More than 18 years valve controller R&d and Manufacturing

15 YEARS

15年的清洗技术研发与制造  
More than 15 years Cleaning technology R&d and Manufacturing

300

300多人的专业团队  
A profession team of over 300 people

200

200多项知识产权  
More than 200 intellectual property rights

30

30多项国际权威认证  
More than 30 international authoritative certifications

20

20多项国家与省级荣誉  
More than 20 national and provincial honors certificates

超过10年研发经验  
工程师队伍  
We have more than 10 years experienced engineer team in R & D.

日本Mazak  
CNC复合型加工中心  
CNC切削中心  
CNC车床  
Japan Mazak  
CNC compound machining center  
CNC cutting center  
CNC lathe

发那科《Fanuc》  
全自动机器人生产线  
《Fanuc》Automatic robot  
production line

高新技术企业、  
省著名商标、  
主任质量奖、4项发明、  
200余项专利  
New high-tech enterprise.  
Provincial famous trademark.  
Director's Quality Award.4 inventions  
More than 200 patents

欧盟CE  
美国3-A, FDA  
中国特种制造许可证 TS  
防爆认证ATEX CNEX  
European Union CE certificate  
USA 3-A, FDA  
China Special Manufacturing  
License TS  
ATEX CNEX

我们能为你提供  
定制化技术服务和制造,  
OEM ODM  
We can provide  
you OEM & ODM service

领先的检测手段,  
30多台专业检测设备和  
50多种检测方法, 确保  
每个产品性能和精度  
Advanced detection method.  
More than 30 pcs professional  
testing equipment. More than  
50 inspection ways, insure product  
performance and accuracy

30 YEARS

30年洁净领域的专注  
30 years of focus in the field of cleanliness

30 YEARS

30年工程应用经验与市场考验  
30 years of engineering application experience and market test

三十而立正蕴含着新的力量，  
未来我们将一如既往的致力于技术革新！  
We Donjoy have established for 30 years, still full of  
new energy, in the future we will stick to concentrate on  
technology innovation

# Introduction

东正创立于1993年，占地面积29000m<sup>2</sup>，注册资本1.0558亿元，员工300余人，技术团队30余人，200余项知识产权，国际权威认证30余项，国家与省级荣誉证书20余项，且拥有国际领先的加工技术和制造设备，如Mazak CNC四轴、五轴加工中心、复合型切削中心、FANUC机器人生产线以及各种国际领先的检测设备。

东正制造的产品远销全球并获得国内外用户高度好评，我们产品和技术涵盖高洁净泵、阀门控制技术、PID自控阀门、高洁净阀门、容器管道安全控制技术、容器清洗技术、容器管道照明技术、过滤技术以及高洁净管道和配件等。广泛应用于生物制药、食品饮料、酿酒、精细化工、日化洗涤、纺织印染、电池和新能源等工业领域。

Donjoy is founded in 1993, covers an area of 29,000 square meters, registered capital of 105.58 million yuan, we have more than 300 employees, we have more than 30 persons technical team, we have more than 200 intellectual property rights, we have more than 30 authoritative international certification, we have more than 20 national and provincial certifications, and has an international leader of first processing technology and manufacturing equipment, such as Mazak CNC four axis, five axis machining center, compound cutting center, FANUC robot production line and various international collar first detection equipment, etc.

The products manufactured by Donjoy are sold all over the world and are highly praised by domestic and overseas Products and technology cover high purity pump, valve control technology, PID automatic control valve, high purity valve, container pipeline safety control technology, container cleaning technology, container pipe road lighting technology, filtration technology and high purity pipes and accessories. Widely used in the biopharmaceuticals, food and beverage, wine, fine chemicals, daily chemical washing, textile printing and dyeing, battery and new energy and other industrial fields.





# 取样阀 Sampling valve

## DJ-QY type

取样阀严格按照美国3-A标准其包含无菌取样阀、无滞留取样阀、酸奶取样阀等各种设计

阀体材质: 316L/1.4404, ASME BPE 316L

密封材质: EPDM FKM PTFE

The sampling valve strictly complies with the American 3-A standard, which includes various designs such as aseptic sampling valve, non-retention sampling valve, yogurt sampling valve, etc.

Body material: 316L/1.4404, ASME BPE 316L

Sealing material: EPDM FKM PTFE



### 技术参数

- 接口方式: 螺纹、卡箍、焊接
- 最大压力: 10bar 145psi
- 最小压力: 真空
- 适用温度: -10°C/14° F至120° F/248° F
- 阀体材质: 316L/1.4404, ASME BPE 316L
- 密封材质: EPDM FKM PTFE

### 应用

- 主要用于罐设备或管道里面的物料样品采集, 也可安装在罐设备或管道的最低点用来排泄残留液。

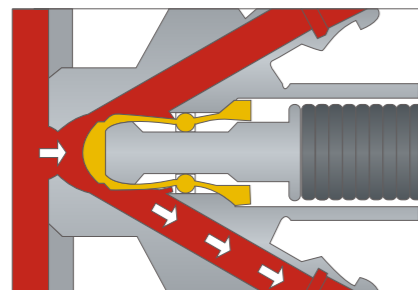
### Technical Specification

- Connections: thread, clamp, weld
- Max. Pressure: 10bar 145psi
- Min. Pressure: vacuum
- Temperature: -10°C/14° F to 120° F/248° F
- Body material: 316L/1.4404, ASME BPE 316L
- Seal material: EPDM FKM PTFE

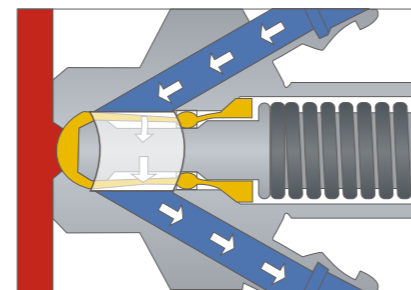
### Applications

- its mainly applied to extract sample from tank or pipeline. It also can be assembled at the bottom of the tank or pipeline to drain away the remains.

### 工作原理图 Working principle diagram



开启阀门, 取样 Open the valve, sampling



关闭阀门, 消毒 Close the valve, sterilizing

## 无菌取样阀 Aseptic sampling valve

### DJ-QY-WJ type

DJ-QY-WJ-FW 自复位无菌取样阀  
DJ-QY-WJ-QD 气动无菌取样阀  
DJ-QY-WJ-GG 杠杆无菌取样阀

DJ-QY-WJ-FW Self-resetting aseptic sampling valve  
DJ-QY-WJ-QD Pneumatic aseptic sampling valve  
DJ-QY-WJ-GG Lever aseptic sampling valve



DJ-QY-WJ-FW



DJ-QY-WJ-QD



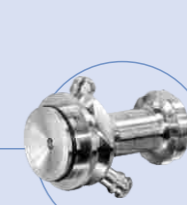
DJ-QY-WJ-GG

1、嵌入式卡箍无菌取样阀  
2、嵌入式焊接无菌取样阀

1. Embedded clamp aseptic sampling valve  
2. Embedded welding aseptic sampling valve



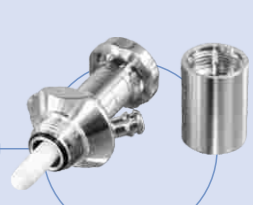
1



1



2



2

3、管路连接无菌取样阀  
4、单口无菌取样阀  
5、管路连接无菌取样阀

3. Pipeline connection aseptic sampling valve  
4. Single port aseptic sampling valve  
5. Pipeline connection aseptic sampling valve



3



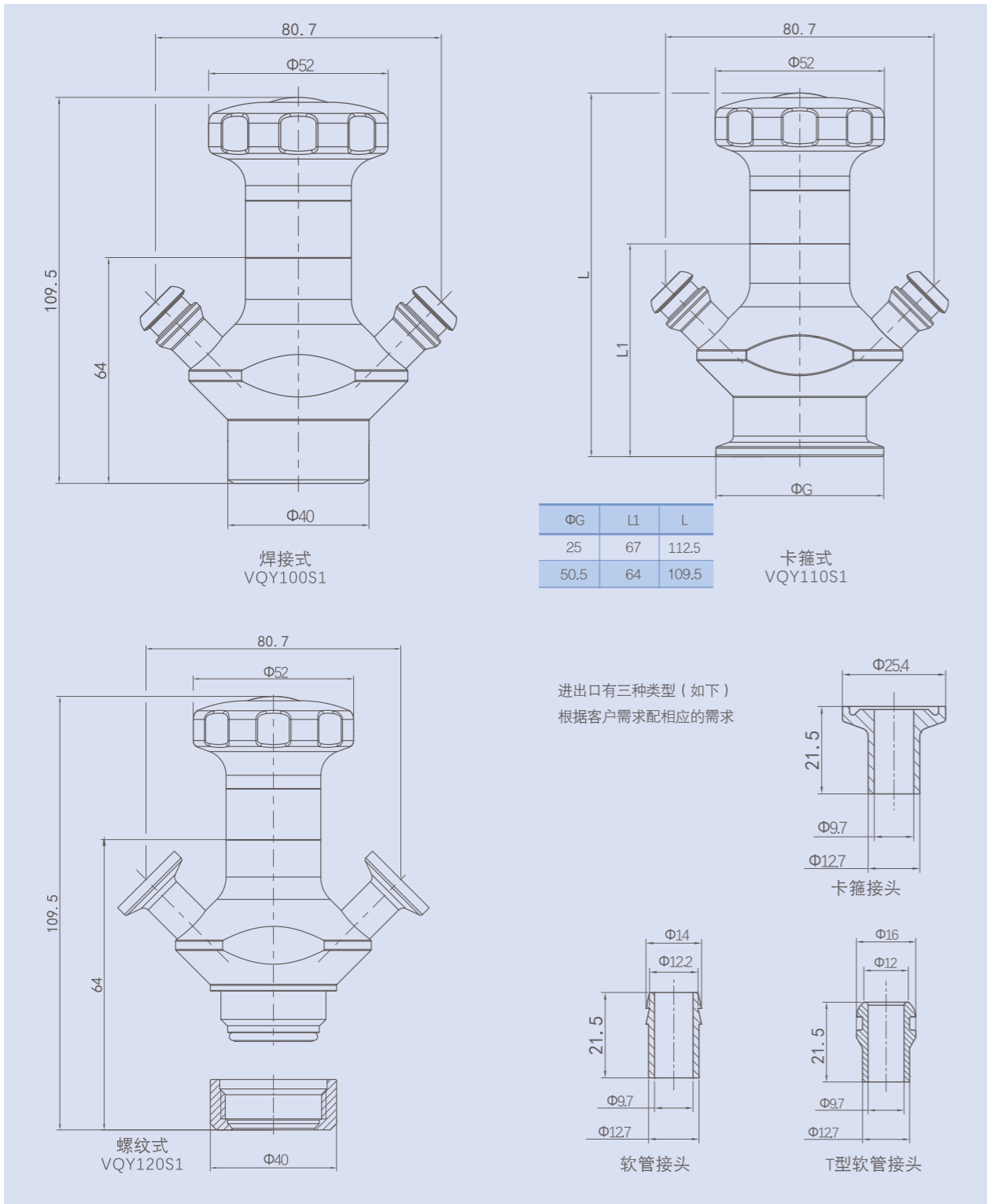
4



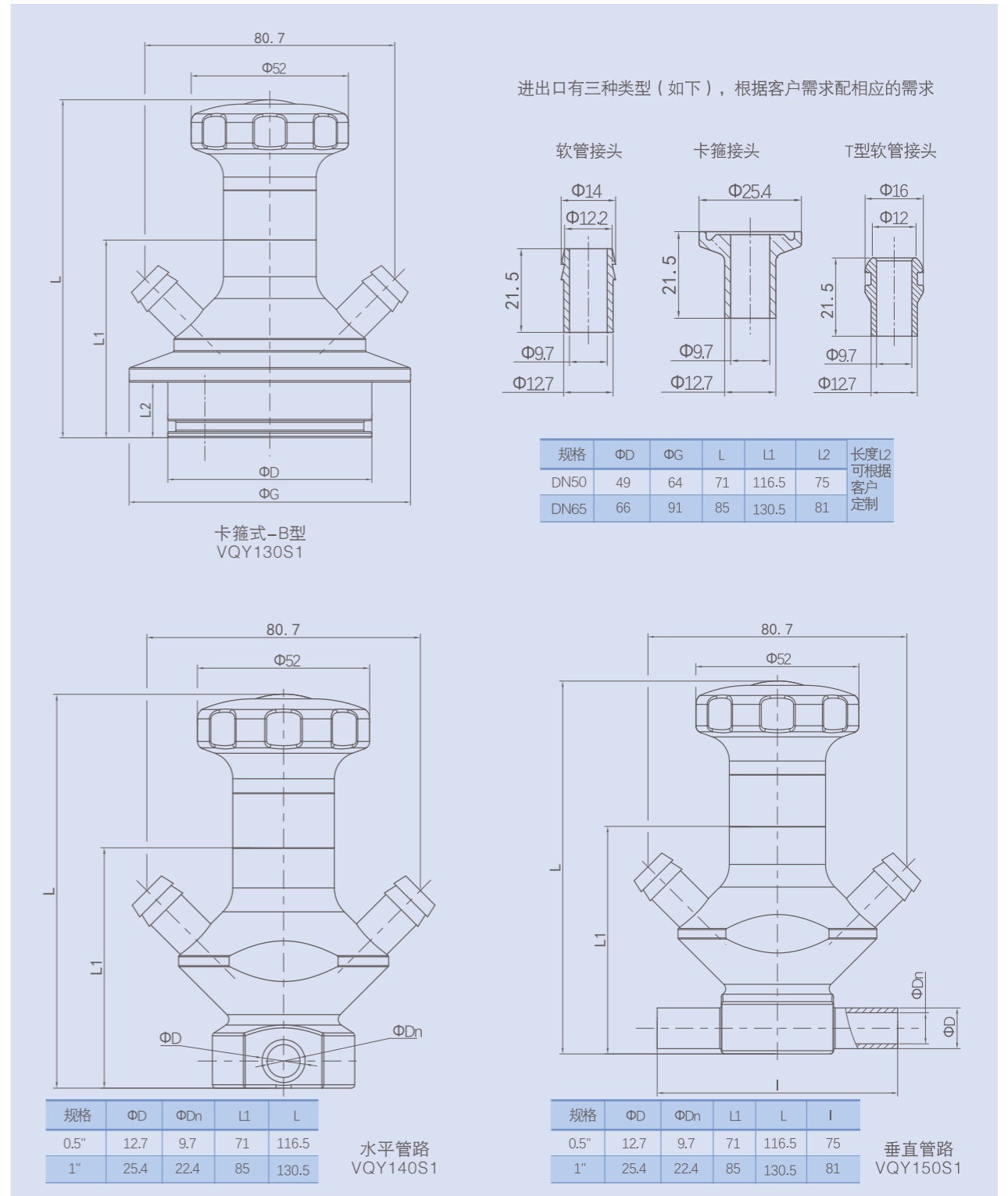
5

# 取样阀 Sampling valve

自复位无菌取样阀数据图 Aseptic sampling valve table

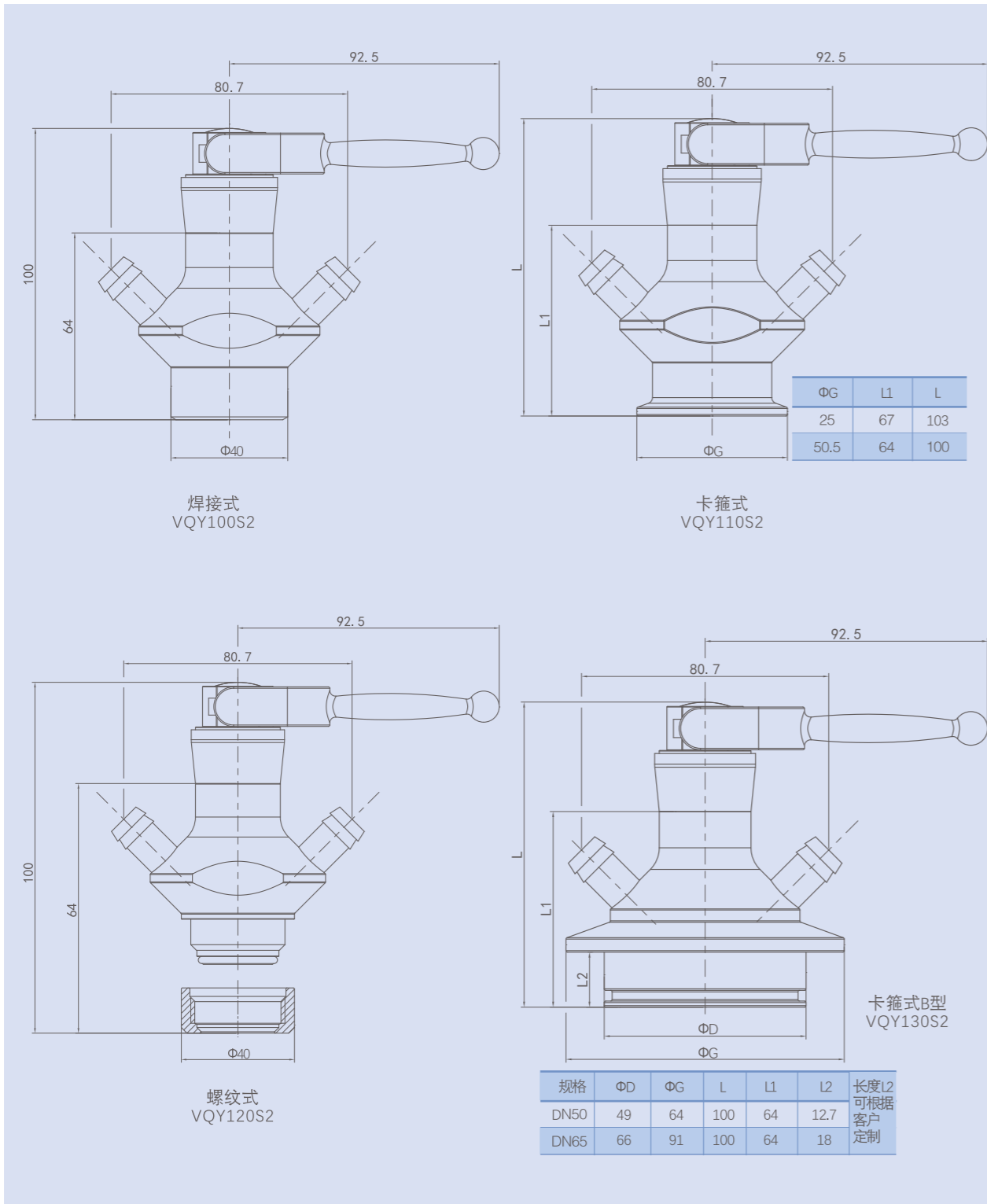


自复位无菌取样阀数据图 Aseptic sampling valve table

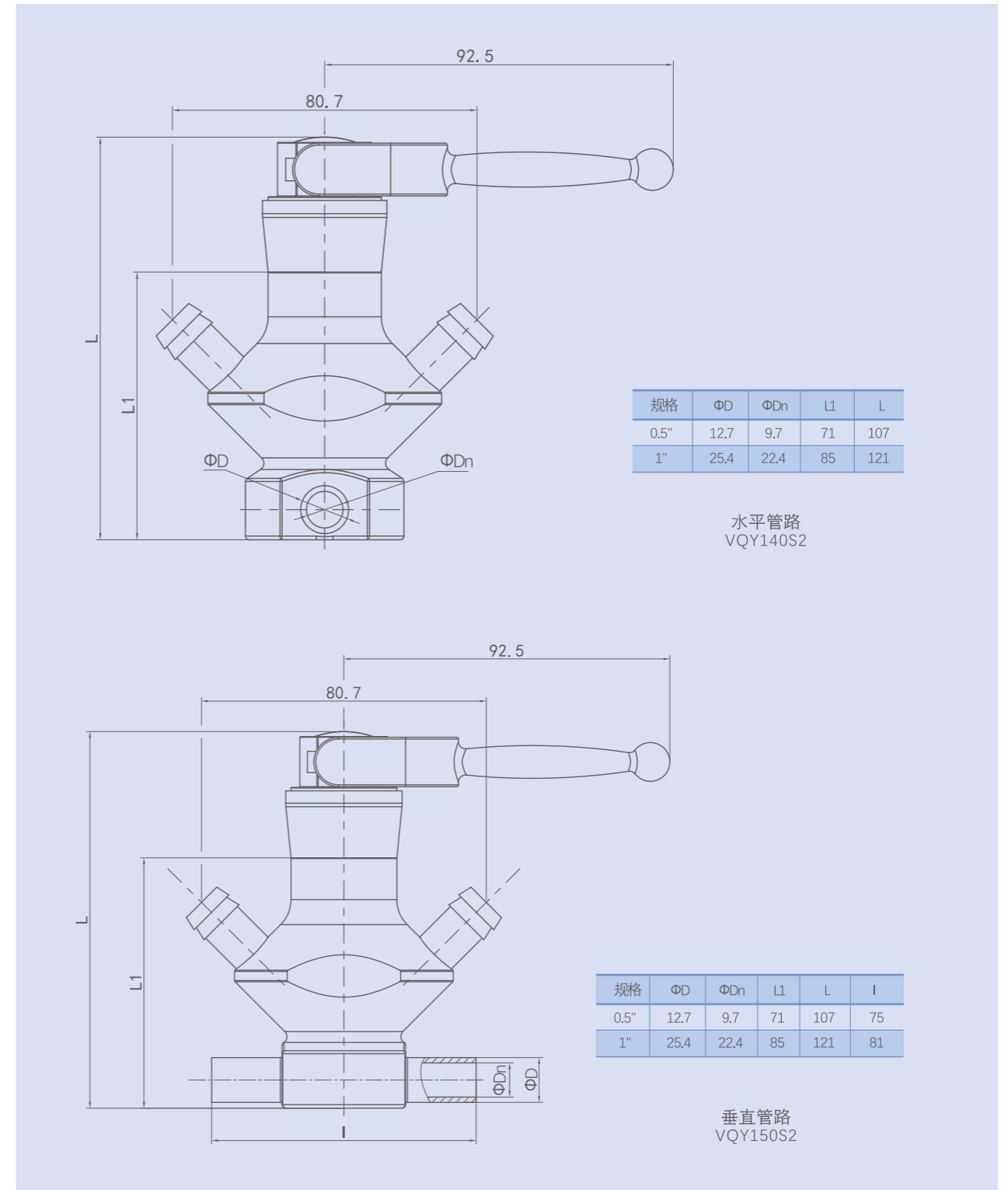


# 取样阀 Sampling valve

手柄无菌取样阀数据图 Aseptic sampling valve table

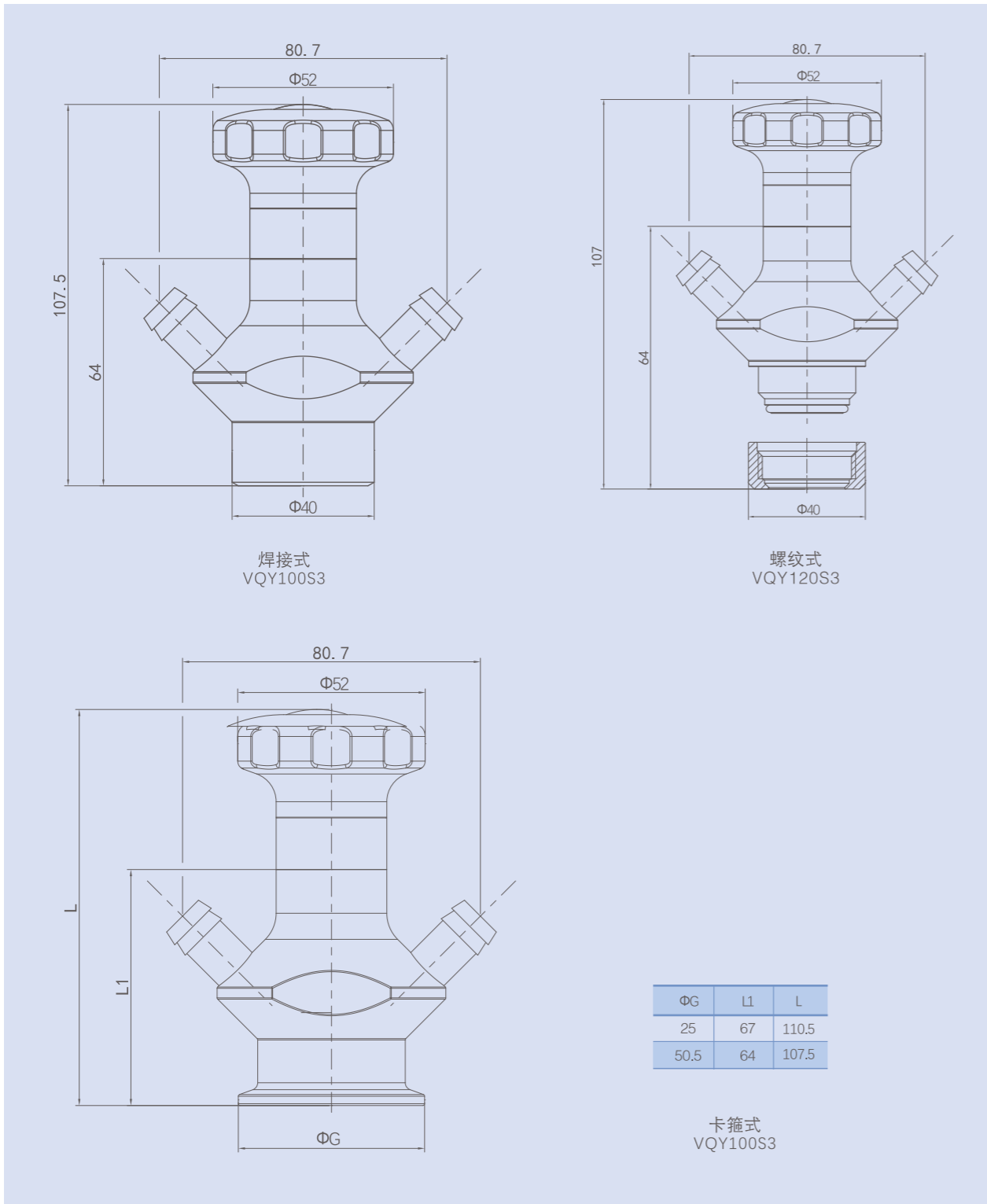


手柄无菌取样阀数据图 Aseptic sampling valve table

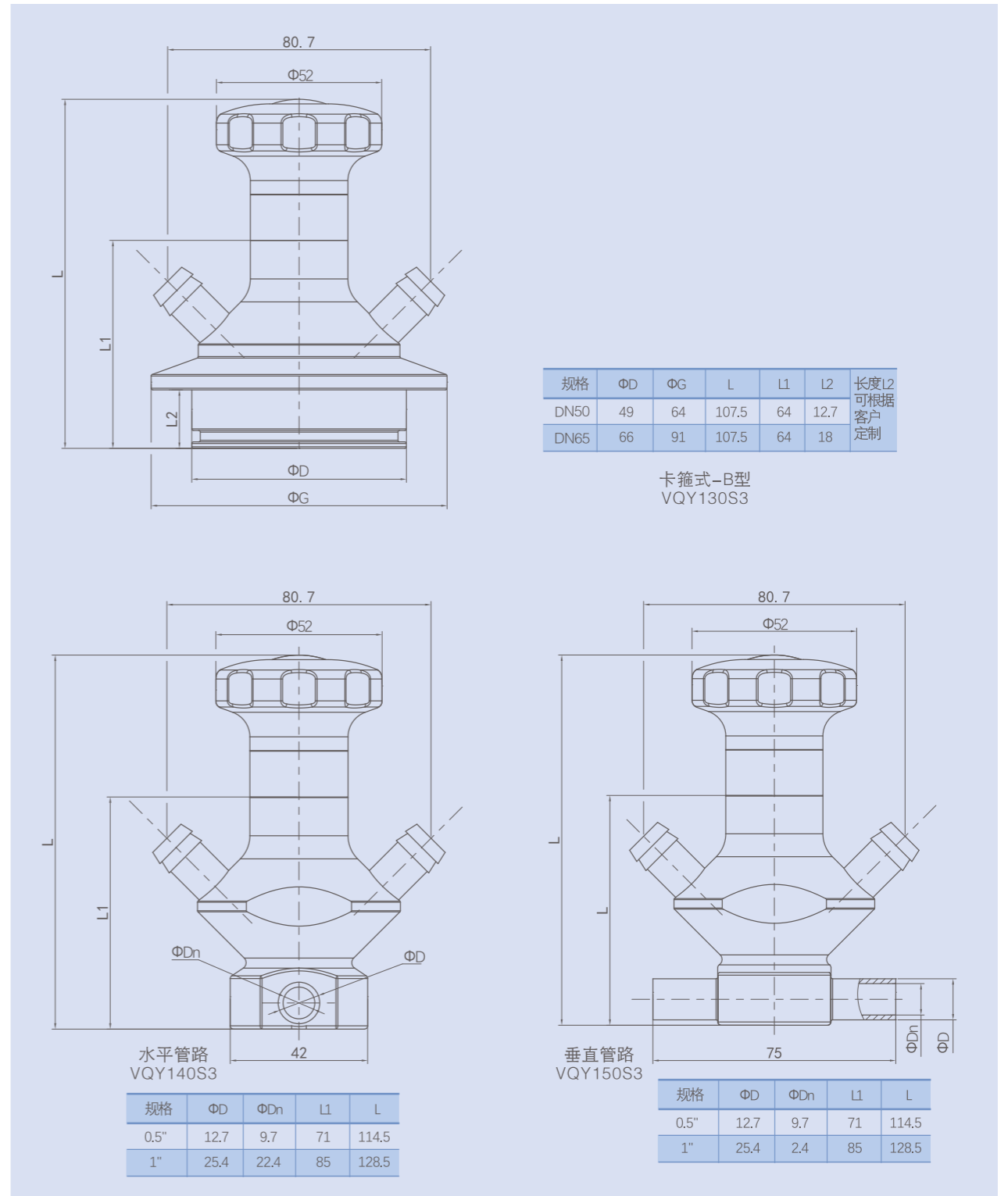


# 取样阀 Sampling valve

可调式无菌取样阀数据图 Aseptic sampling valve table



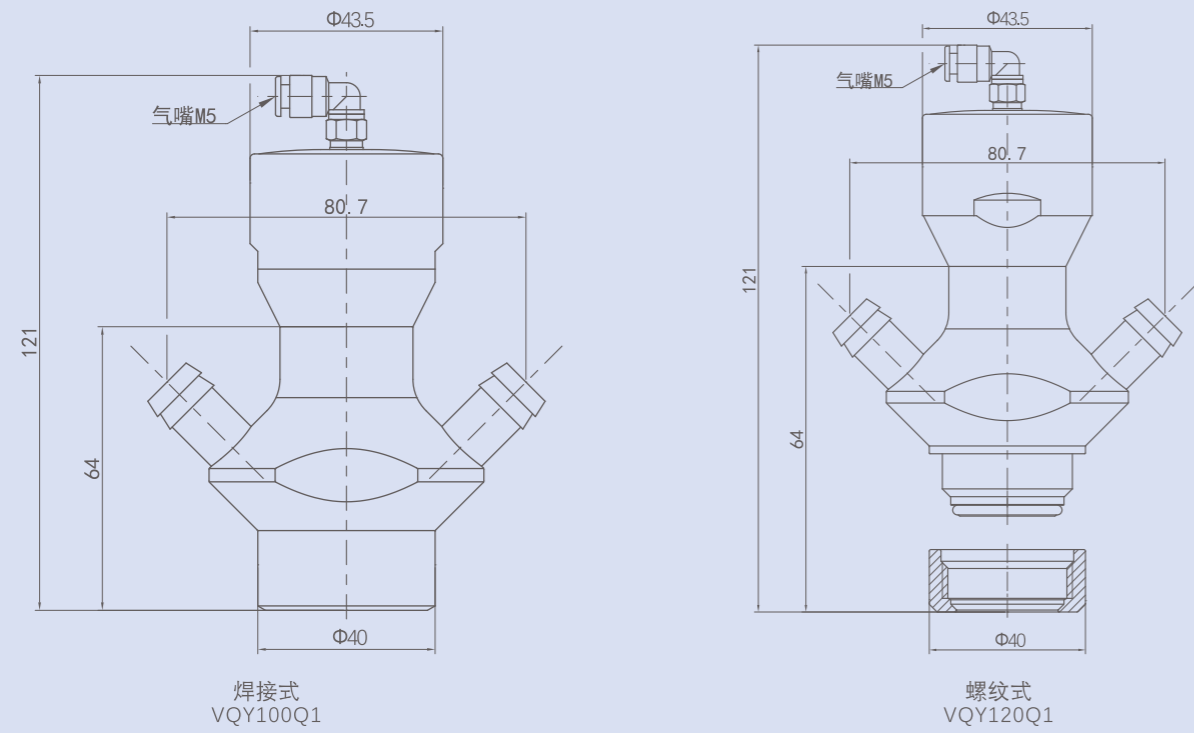
可调式无菌取样阀数据图 Aseptic sampling valve table





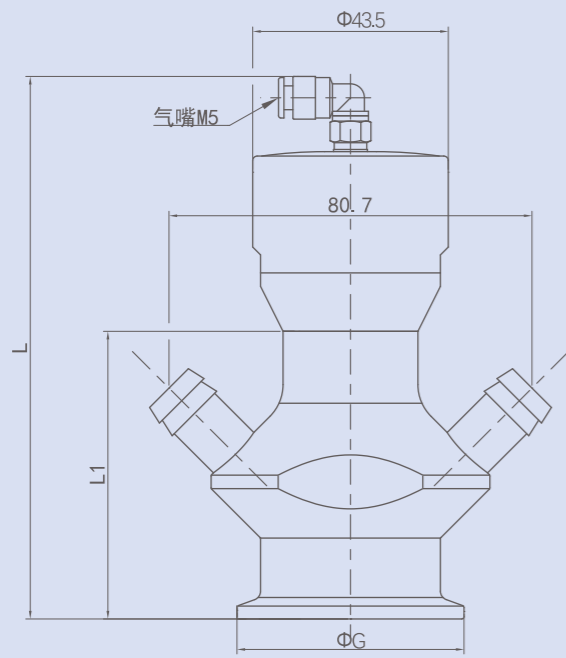
# 取样阀 Sampling valve

气动无菌取样阀数据图 Aseptic sampling valve table



焊接式  
VQY100Q1

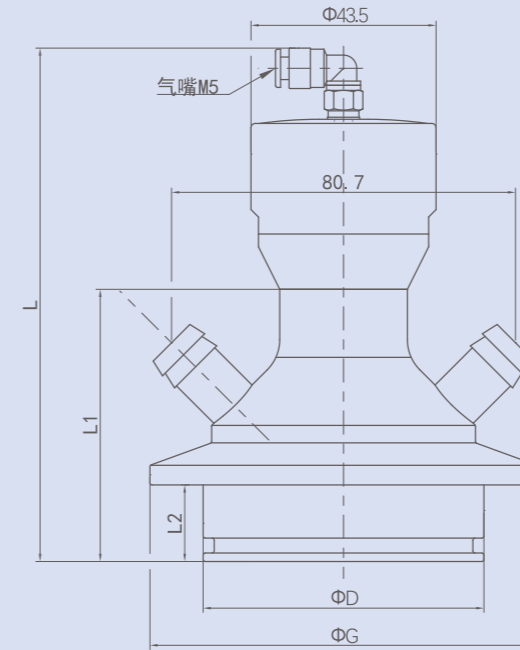
螺纹式  
VQY120Q1



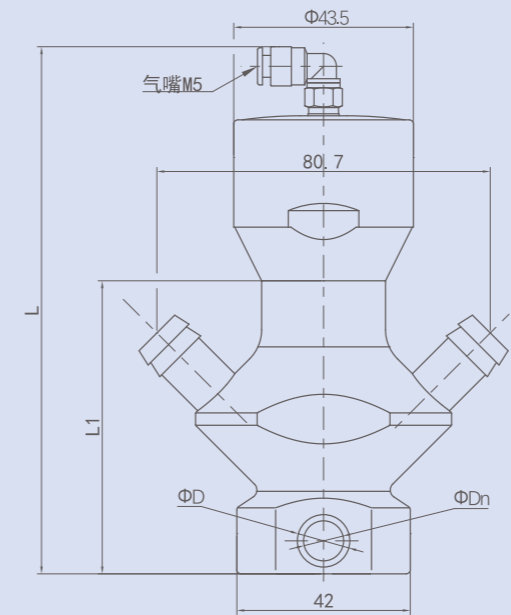
$\Phi G$	L1	L
25	67	124
50.5	64	121

卡箍式  
VQY110Q1

气动无菌取样阀数据图 Aseptic sampling valve table

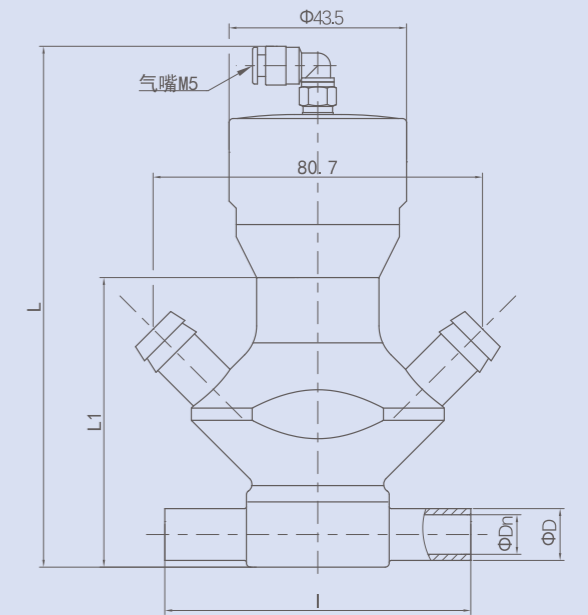


规格	$\Phi D$	$\Phi G$	L	L1	L2	长度L2 可定制
DN50	49	64	121	64	12.7	
DN65	66	91	121	64	18	



规格	$\Phi D$	$\Phi D_n$	L1	L
0.5"	12.7	9.7	71	128
1"	25.4	22.4	85	142

水平管路  
VQY140Q1

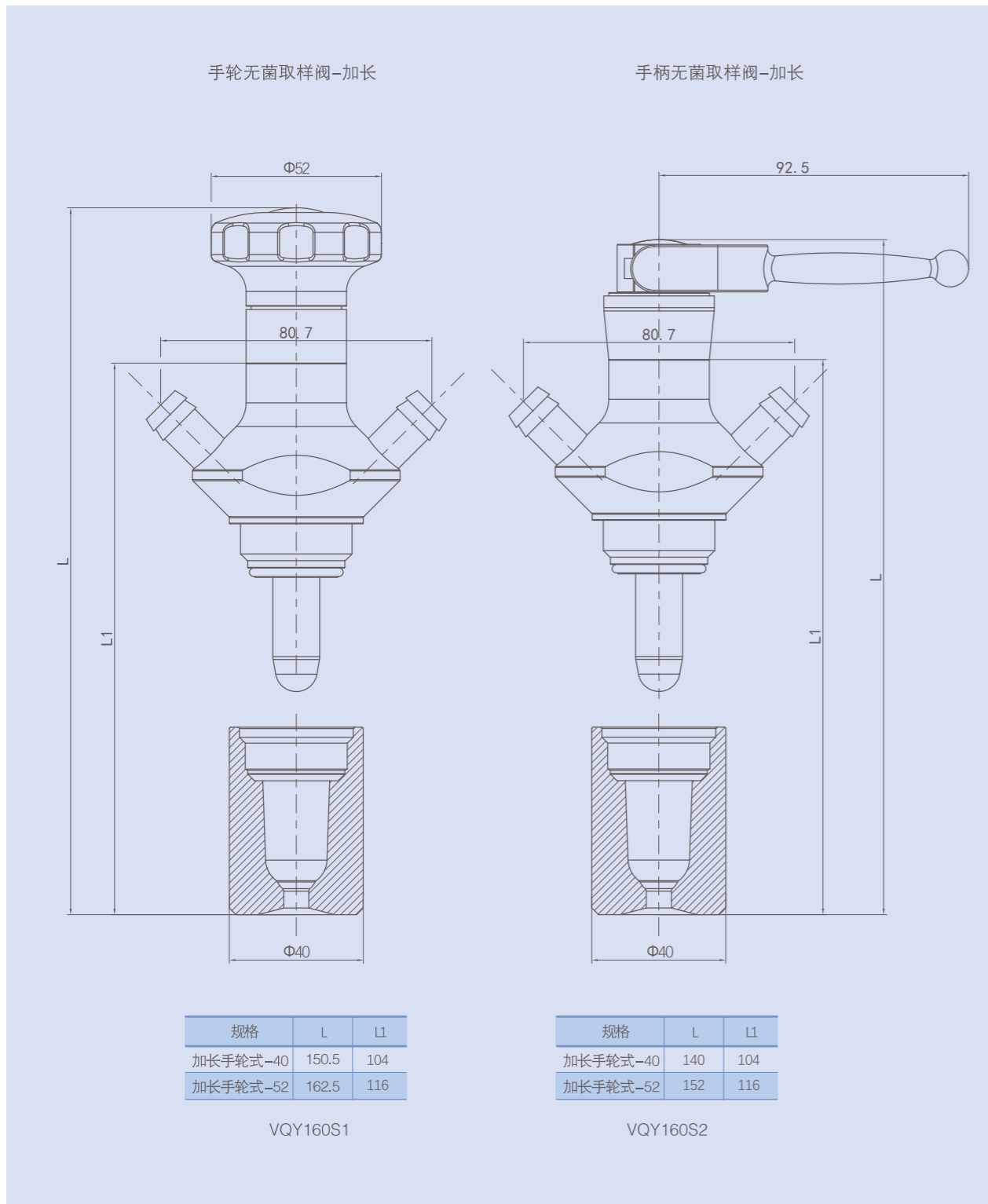


规格	$\Phi D$	$\Phi D_n$	L1	L	I
0.5"	12.7	9.7	71	128	75
1"	25.4	22.4	85	142	81

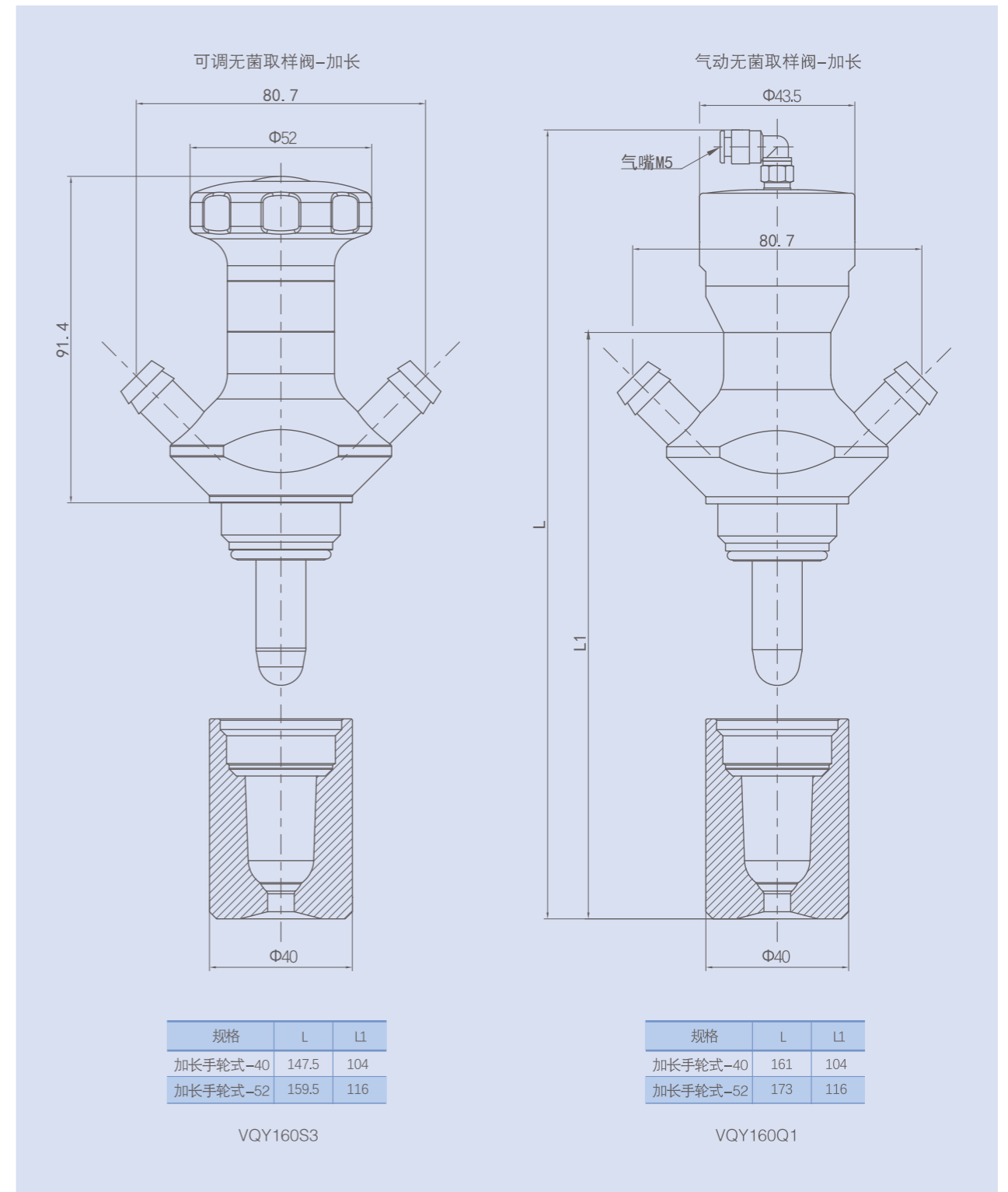
垂直管路  
VQY150Q1

# 取样阀 Sampling valve

加长无菌取样阀数据图 Aseptic sampling valve table

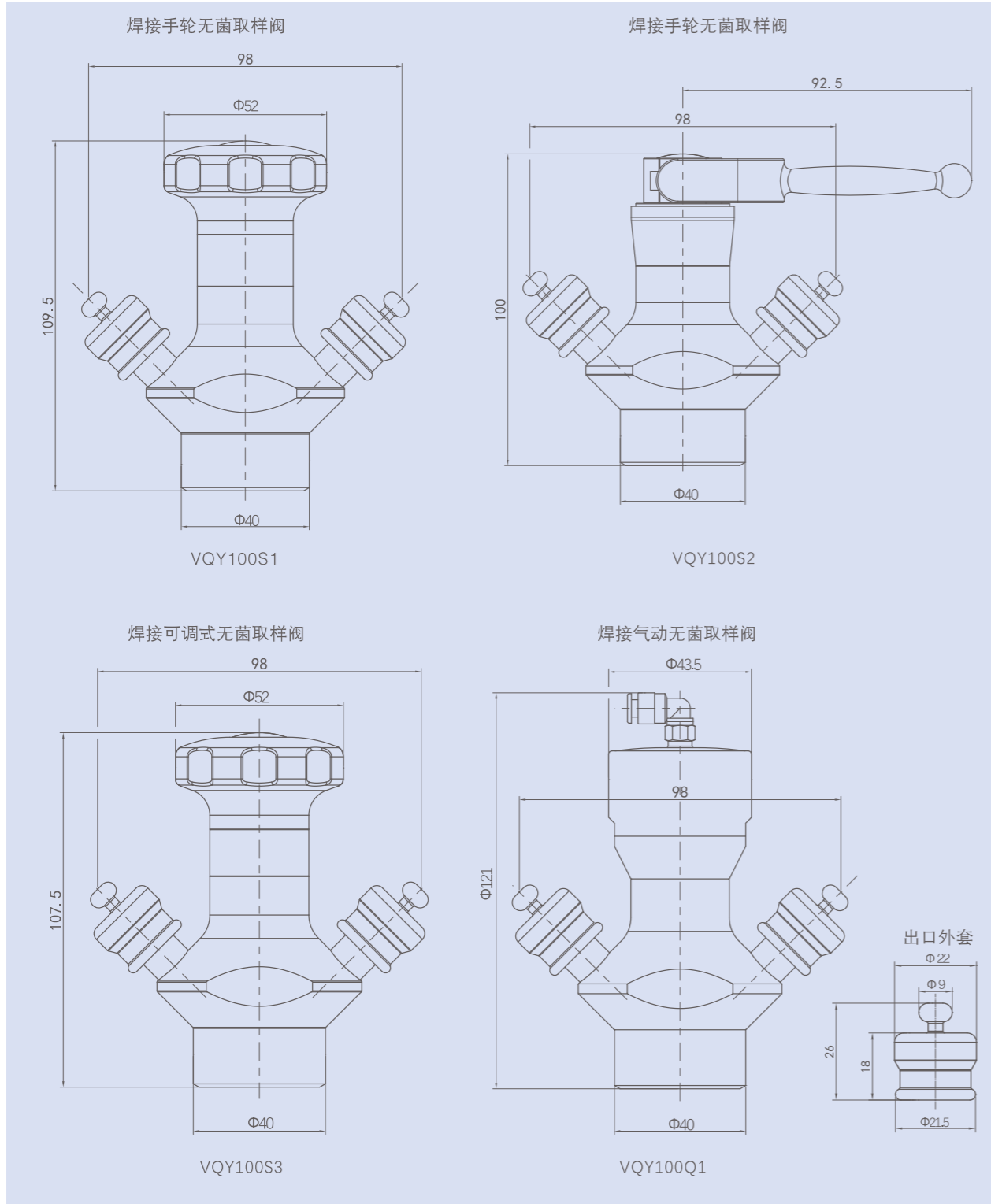


加长无菌取样阀数据图 Aseptic sampling valve table



# 取样阀 Sampling valve

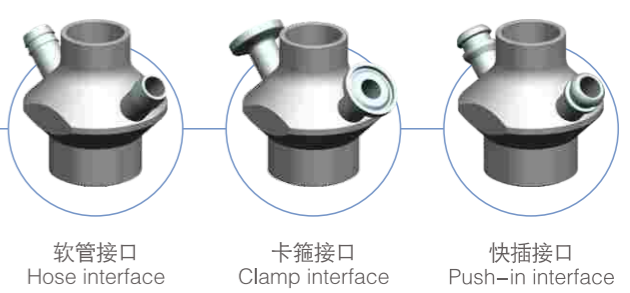
无菌取样阀带进出口外套数据图 Aseptic sampling valve table



各种不同无菌取样阀-阀头  
Various aseptic sampling valves-valve heads



不同的出口方式 Different outlet way



密封材质 Seal material

- 最高温度: 130°C(EPDM)
- 最高温度: 150°C(PTFE)
- Max. Temperature: 130°C(EPDM)
- Max. Temperature: 150°C(PTFE)



# 取样阀 Sampling valve

## 无滞留取样阀 No retention sampling valve

阀体材质: 316L/PEEK 密封材质: PTFE Body material: 316L/PEEK Sealing material: PTFE

### DJ-QY-WZL type

- 1、偏心安装接口 1. Eccentric installation interface
- 2、中心安装接口 2. Center installation interface

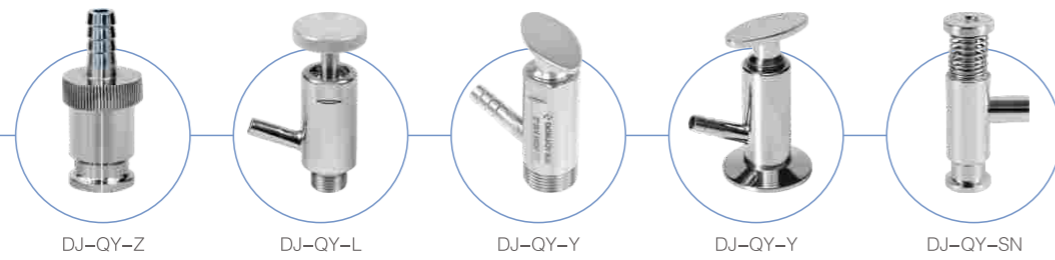


## 取样阀 Sampling valve

接口方式: 焊接、螺纹、卡箍、螺母 Connection way: welded, threaded, clamped, nut

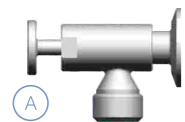
### DJ-QY type

- DJ-QY-Z 直通取样阀 DJ-QY-Z Straight way sampling valve
- DJ-QY-Y Y型取样阀 DJ-QY-Y Y type sampling valve
- DJ-SY-SN 酸奶取样阀 DJ-SY-SN Yogurt Sampling Valve

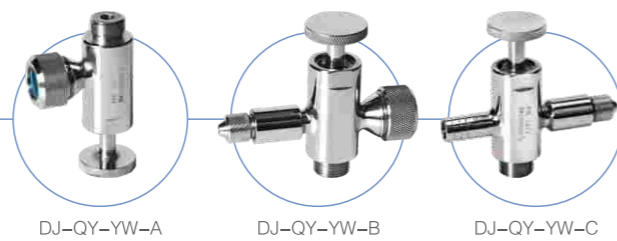


## 液位阀 Liquid level valve

接口方式: 焊接、螺纹、卡箍、螺母 Connection way: welded, threaded, clamped, nut

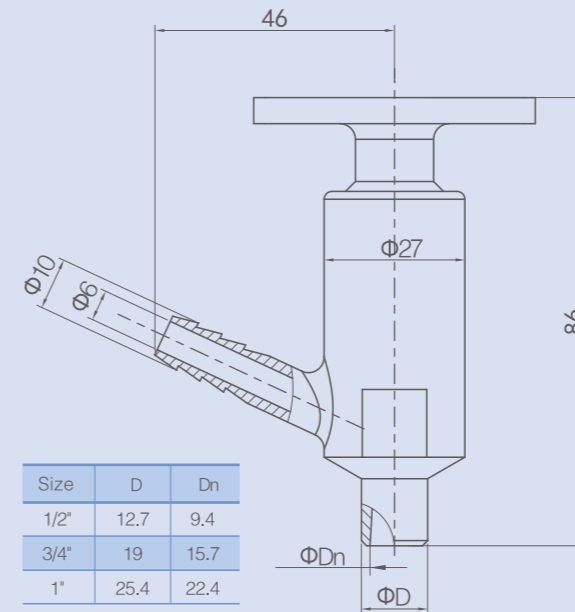


- DJ-QY-YW-A 液位阀 A DJ-QY-YW-A Liquid level valve A
- DJ-QY-YW-B 液位阀-B DJ-QY-YW-B Liquid level valve-B
- DJ-QY-YW-C 液位阀-C DJ-QY-YW-C Liquid level valve-C



## Y型软管取样阀数据图 Aseptic sampling valve table

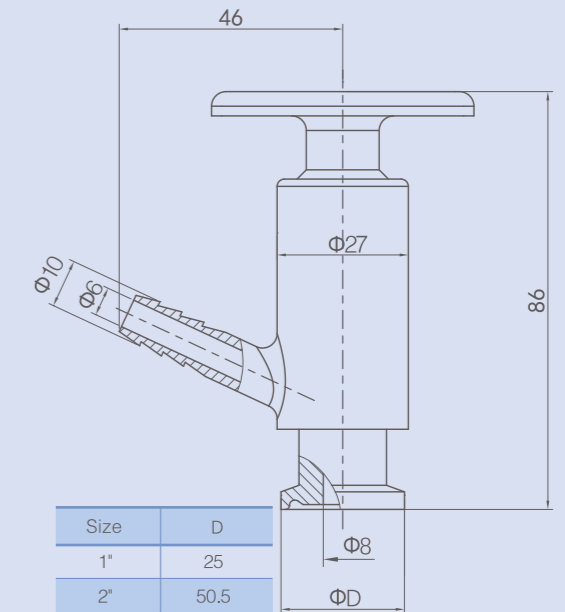
焊接式Y型软管取样阀



Size	D	Dn
1/2"	12.7	9.4
3/4"	19	15.7
1"	25.4	22.4

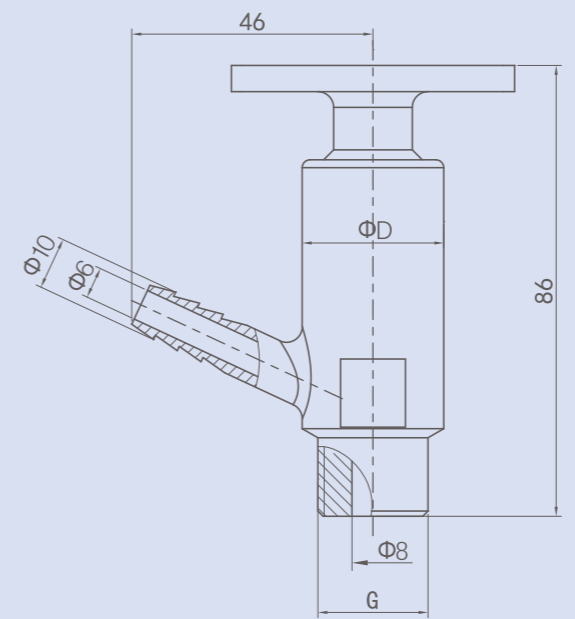
VQY200S1

卡箍式Y型软管取样阀



Size	D
1"	25
2"	50.5

VQY210S1



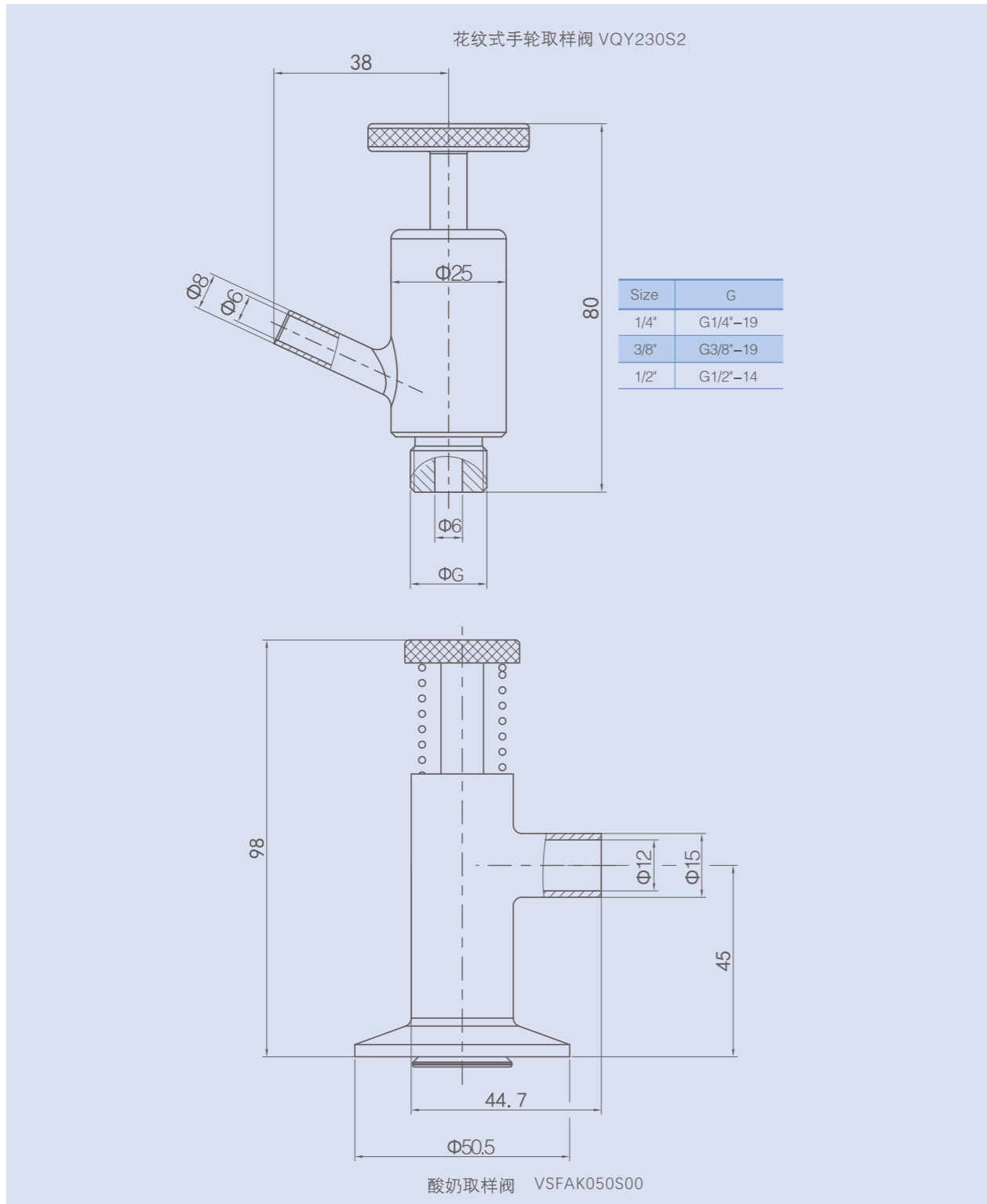
螺纹式Y型软管取样阀

Size	G	Dn
1/4"	G1/4"-19	27
3/8"	G3/8"-19	27
1/2"	G1/2"-14	27
3/4"	G3/4"-14	35
1"	G1"-11	35

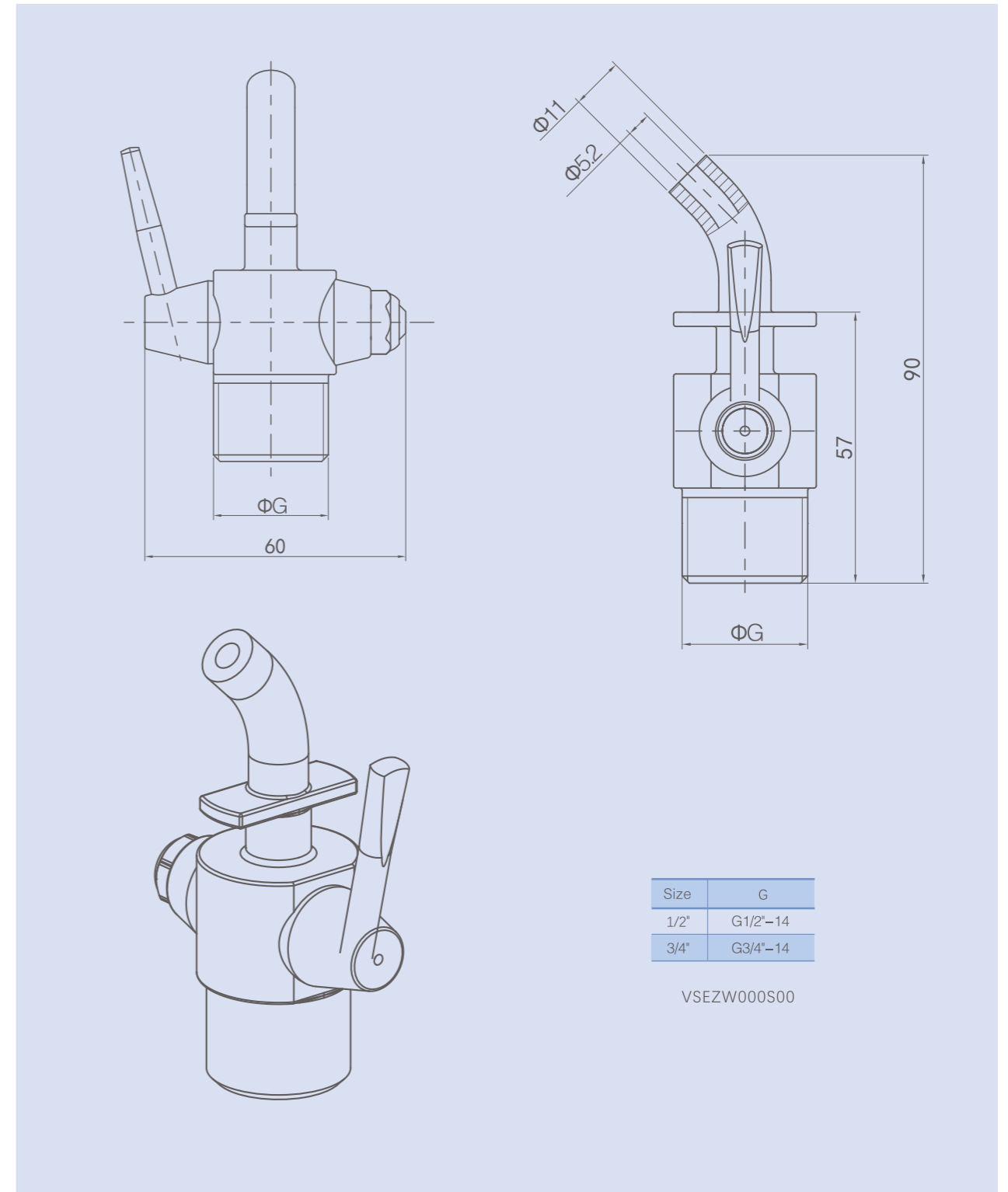
VQY230S1

# 取样阀 Sampling valve

花纹式手轮/酸奶取样阀数据图

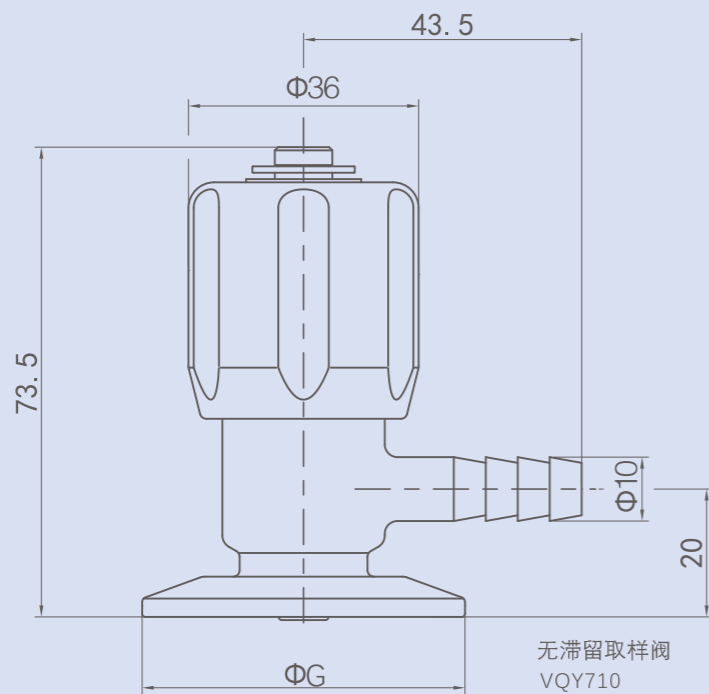
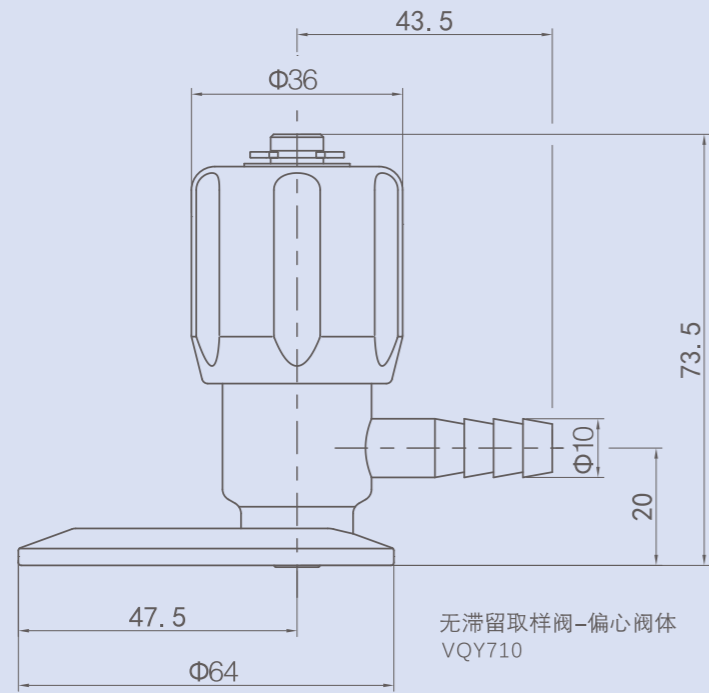


旋塞式取样阀数据图



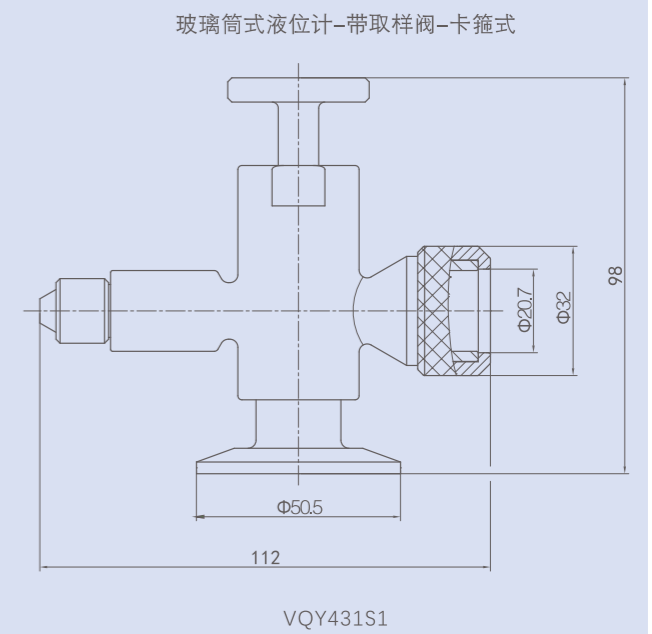
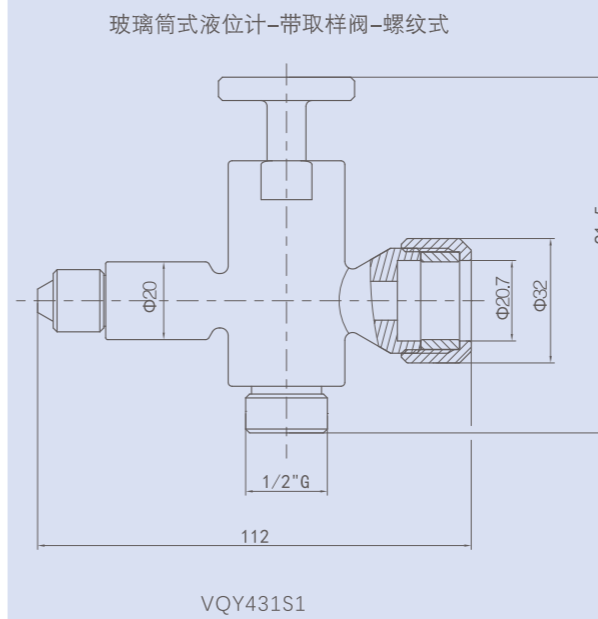
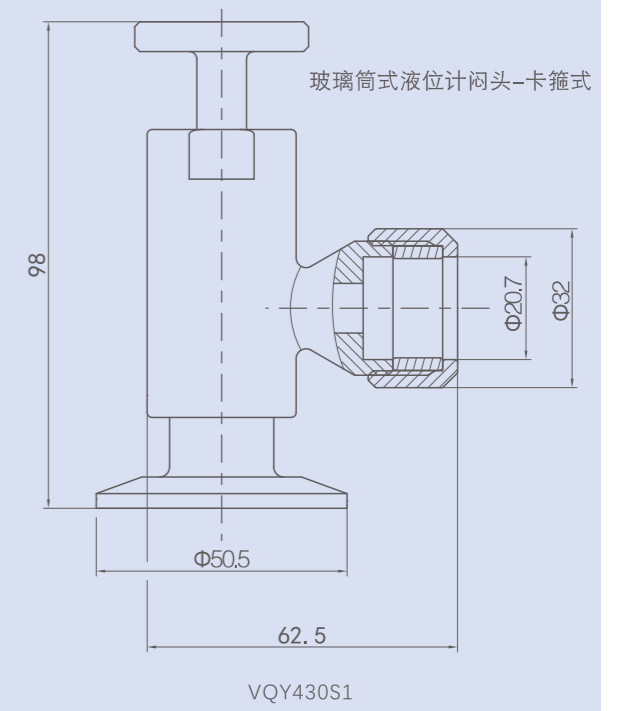
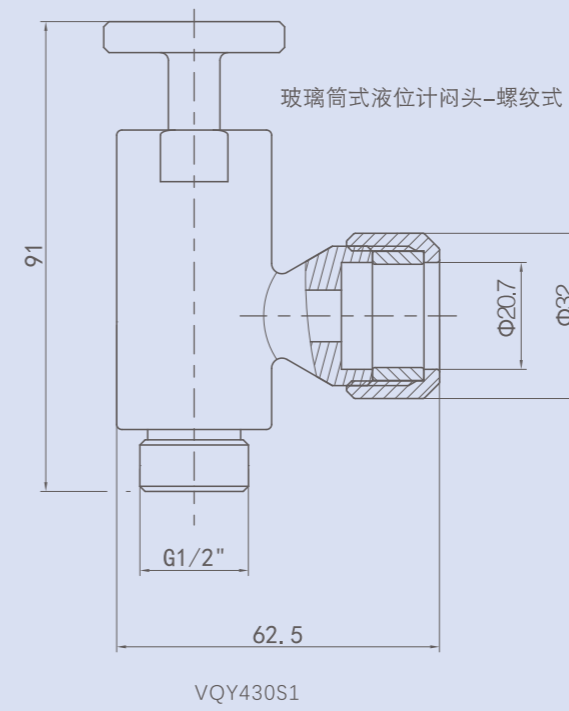
取样阀  
Sampling valve

无滞留取样阀数据图



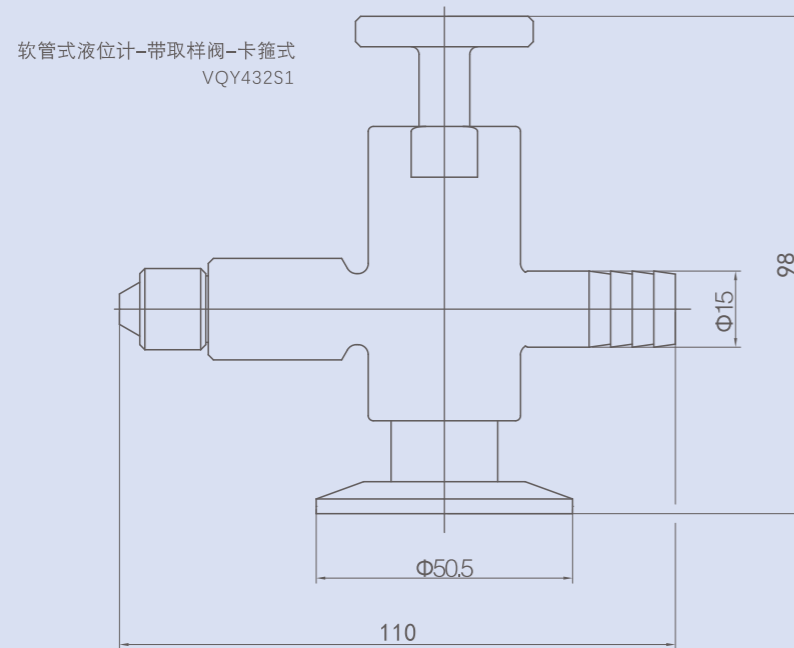
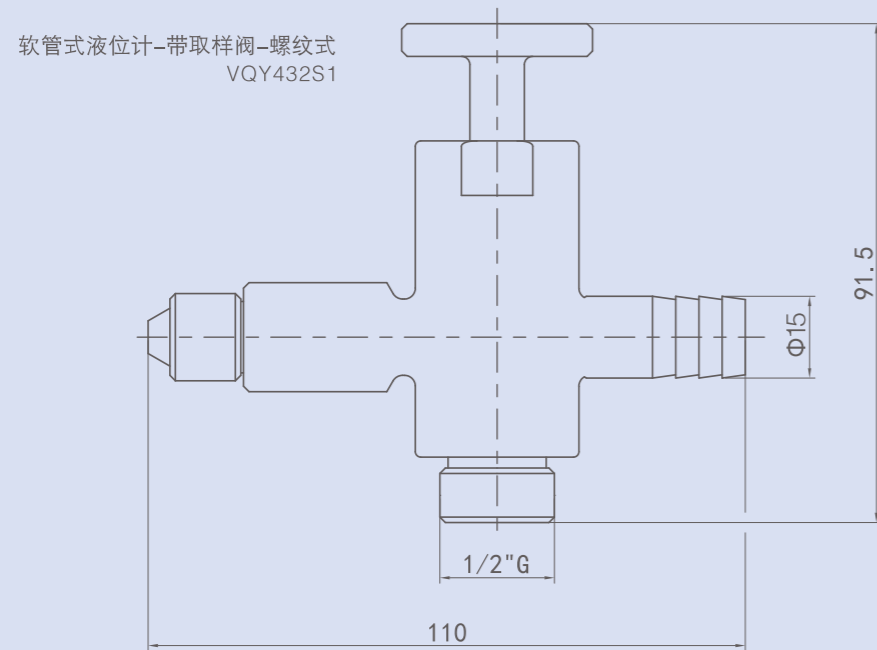
Size	G
1"	25
2"	50.5

玻璃筒式液位计数据图



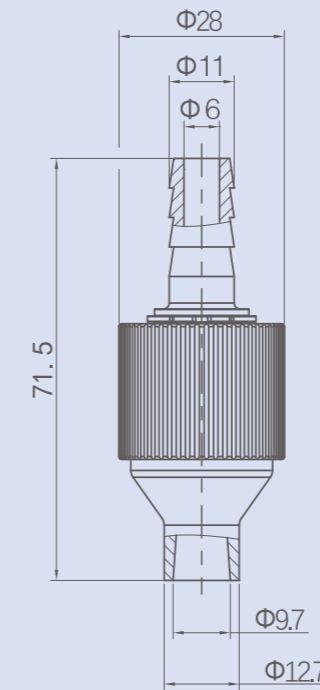
# 取样阀 Sampling valve

## 软管式液位计-带取样阀-数据图

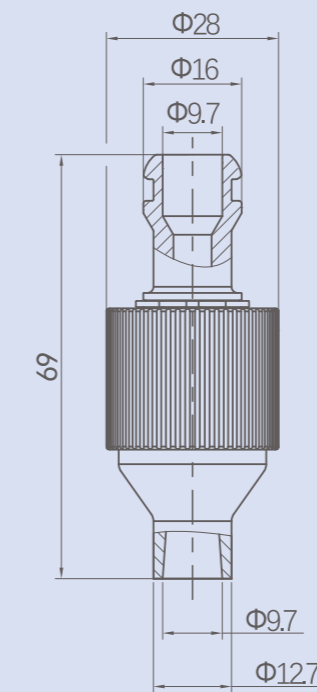
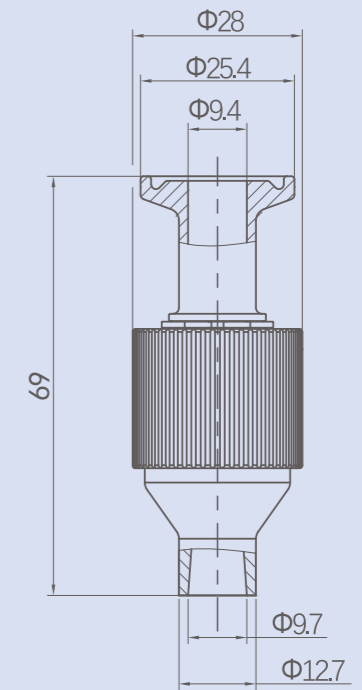


## 直通取样阀数据图

焊接式软管接头直通取样阀



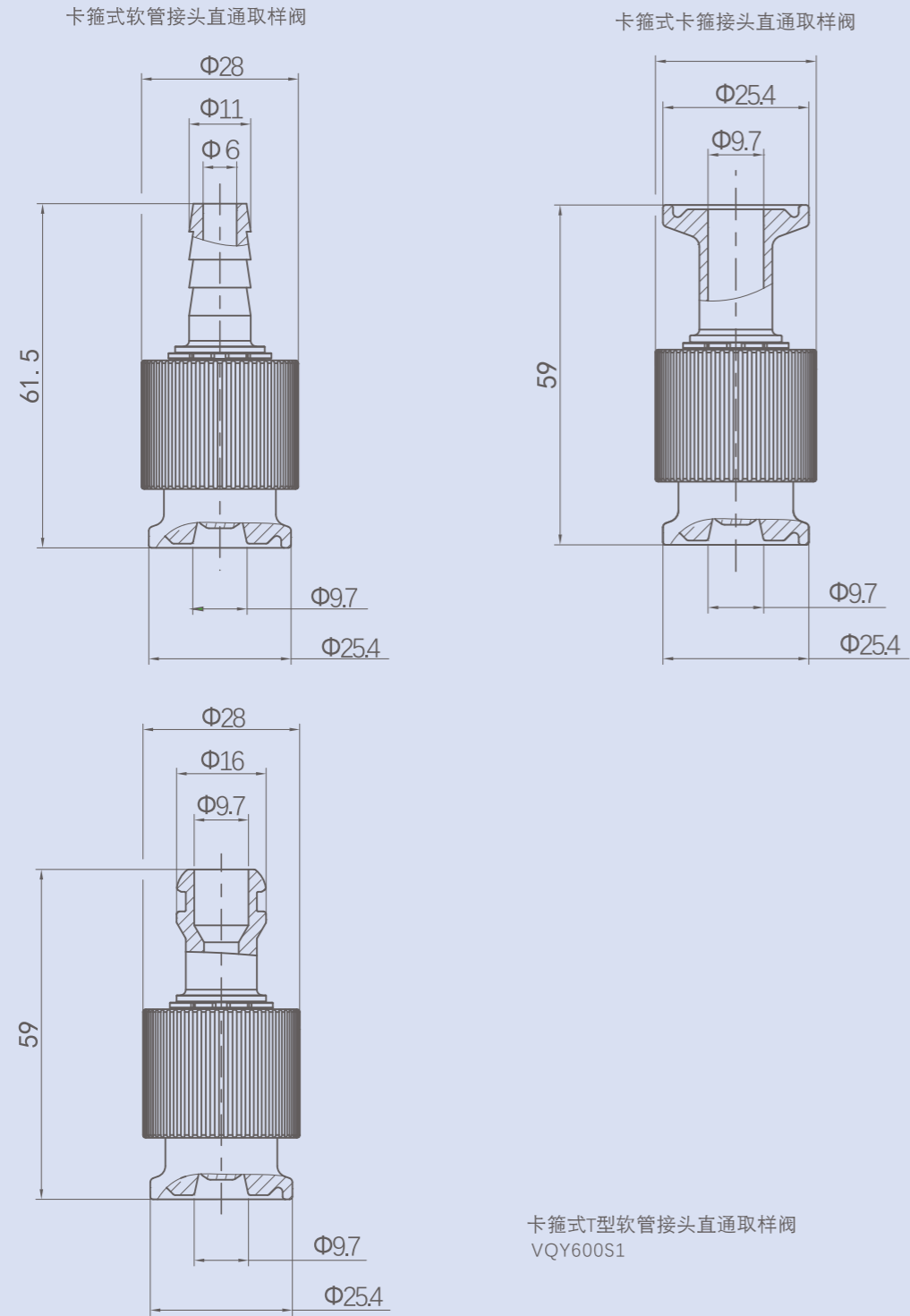
焊接式卡箍接头直通取样阀



焊接式T型软管接头直通取样阀  
VQY600S1

取样阀  
Sampling valve

直通取样阀数据图



直通取样阀数据图

